

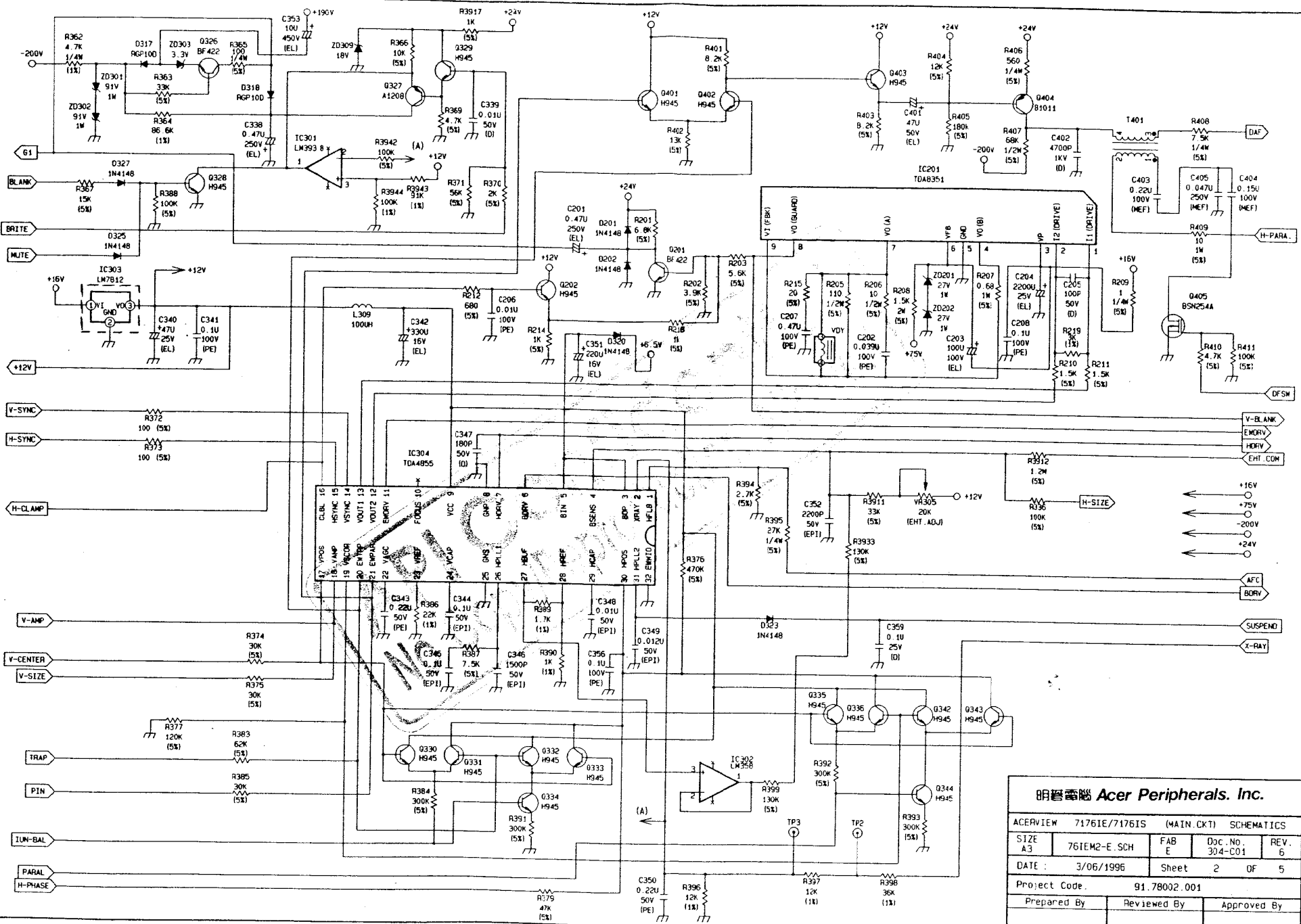
**DOC2AB FUNCTION**

	ON	OFF
JP701	SHORT	OPEN
JP702	OPEN	SHORT
JP703	SHORT	OPEN
JP704	SHORT	OPEN
JP705	SHORT	OPEN

**明碁電腦 Acer Peripherals, Inc.**

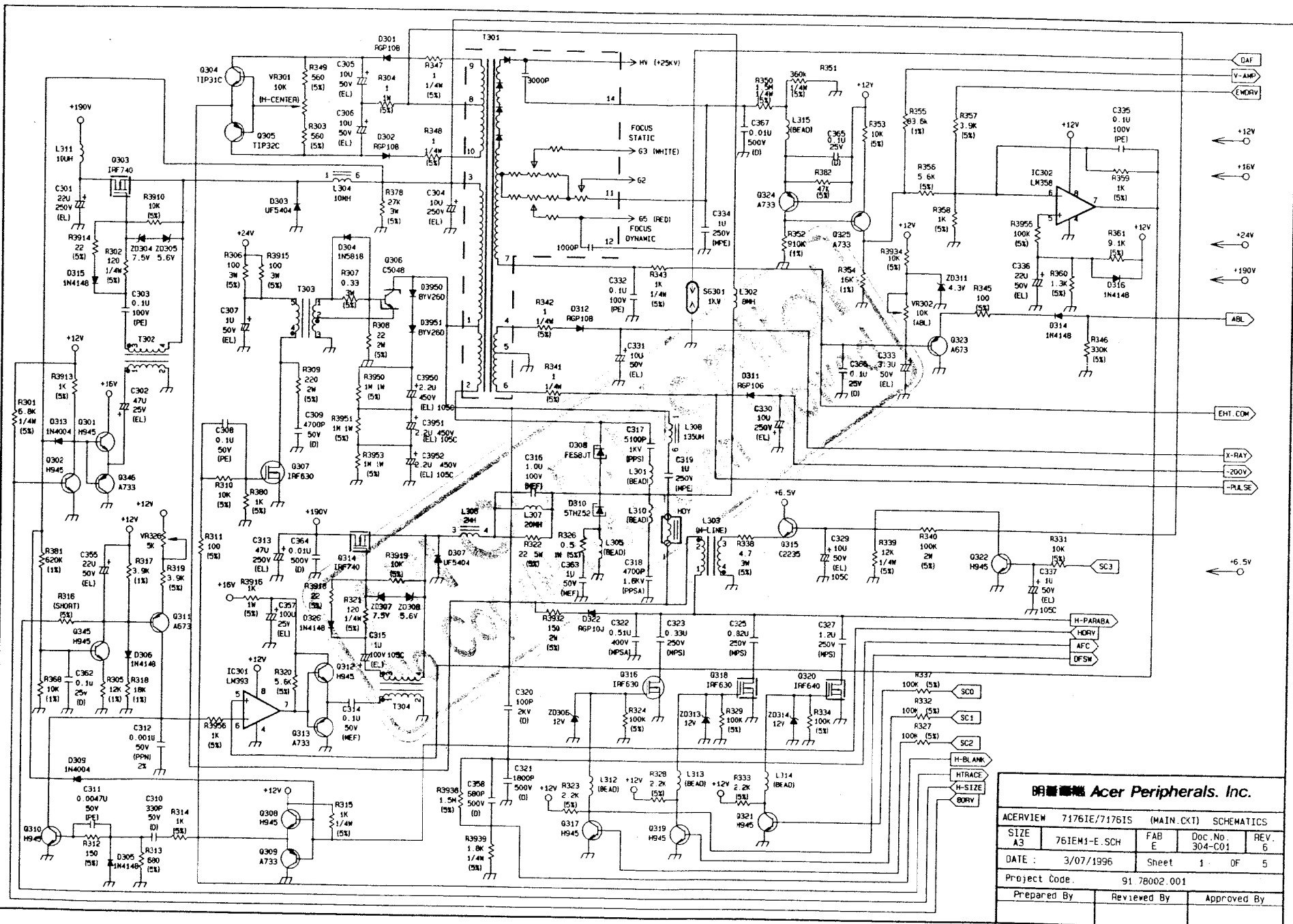
ACERVIEW 71761E/71761S (SPS\_CKT) SCHEMATICS

SIZE A3	76IESP-E_SCH	FAB E	Doc.No. 304-C01	REV. 6
DATE: 3/07/1995	Sheet 4 OF 5			
Project Code. 91.78002.001				
Prepared By	Reviewed By	Approved By		



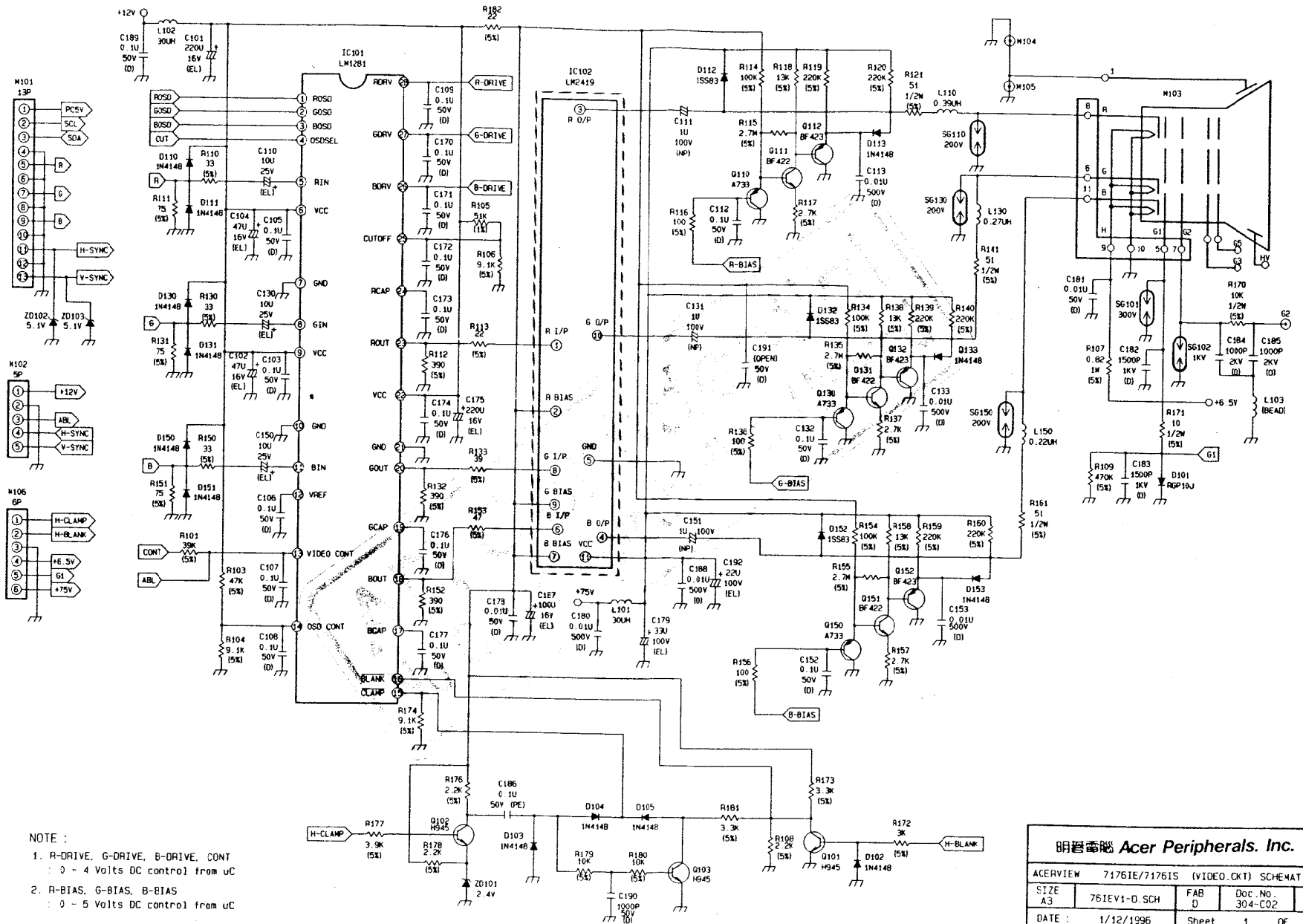
**明碁電腦 Acer Peripherals, Inc.**

ACERVIEW	71761E/71761S	(MAIN.CKT)	SCHEMATICS	
SIZE	A3	761EM2-E.SCH	FAB E	Doc.No. 394-C01 REV. 6
DATE	3/06/1996	Sheet	2	OF 5
Project Code	91.78002.001			
Prepared By	Reviewed By	Approved By		



**明基電腦 Acer Peripherals, Inc.**

ACERVIEW 71761E/71761S (MAIN.CKT)		SCHEMATICS	
SIZE A3	761EM1-E.SCH	FAB E	Doc.No. 304-C01
DATE : 3/07/1996	Sheet 1	OF 5	
Project Code. 91 78002.001			
Prepared By	Reviewed By	Approved By	



NOTE :

- R-DRIVE, G-DRIVE, B-DRIVE, CONT : 0 - 4 Volts DC control from uC
- R-BIAS, G-BIAS, B-BIAS : 0 - 5 Volts DC control from uC

<b>明碁電腦 Acer Peripherals, Inc.</b>				
ACERVIEW 71761E/71761S (VIDEO.CKT) SCHEMATICS				
SIZE A3	761EV1-D.SCH	FAB 0	Doc. No. 304-CQ2	REV. 4
DATE : 1/12/1996	Sheet 1		Of 5	
Project Code.		91.78002.001		
Prepared By	Reviewed By	Approved By		